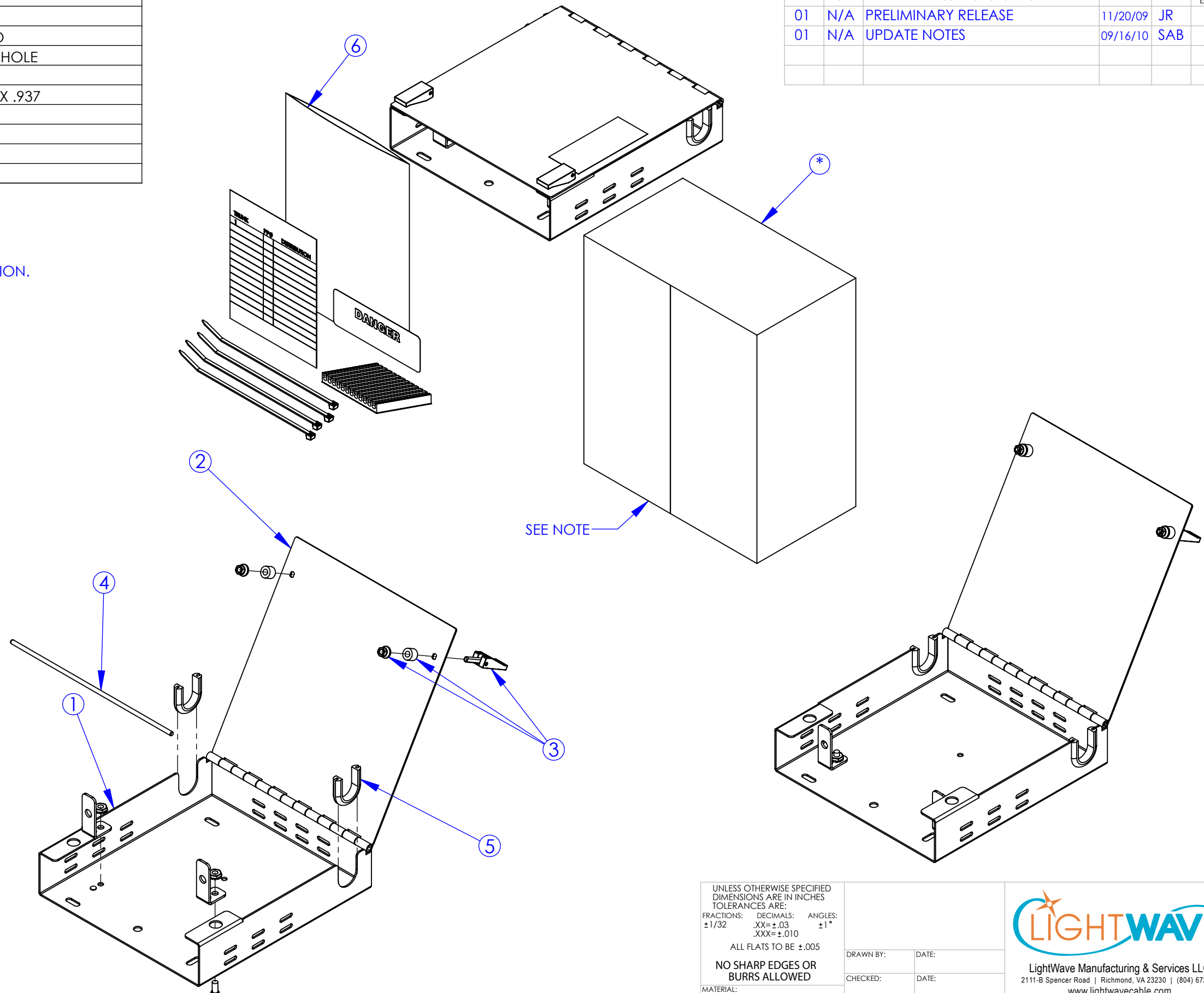
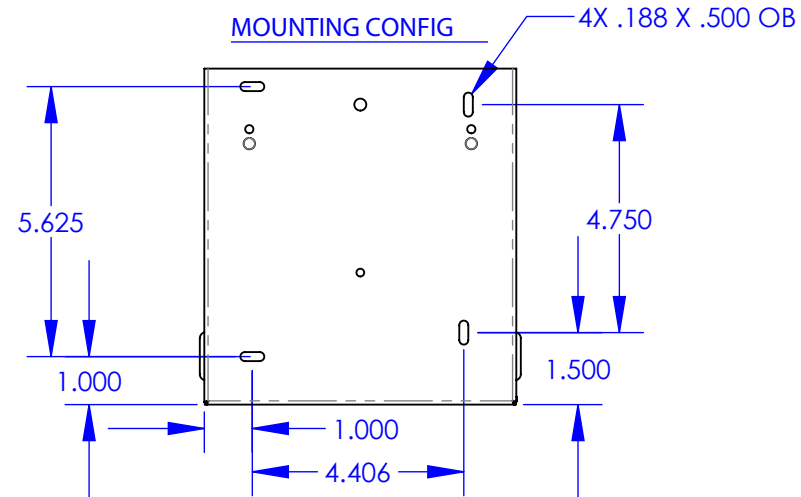
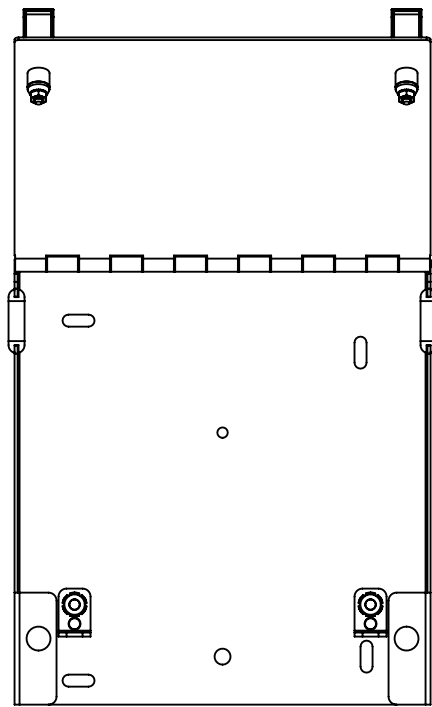


ITEM NO.	QTY.	PART NO.	DESCRIPTION
1	1	592-786-P1	BASE BK FWM-1X
2	1	592-787-S1	COVER BK FWM-1X W/LIGHTWAVE LOGO
3	2	647-063-10	LATCH SWELL COMPRESSION 0.375" MNT HOLE
4	1	592-833-10	HINGE PIN .125 X 6.500
5	2	642-035-10	GROMMET HORSE SHOE NEOPRENE .750 X .937
6	1	065-130-20	KIT FWM-1X
7	2	592-788-P1	BRACKET MULTIPLATE BK
8	2	630-137-10	STUD PEM 8-32 X 3/8 SS
9	2	634-065-10	NUT, 8-32, K-LOCK, 18-8 SS

REV.	ECN #	DESCRIPTION OF CHANGE	DATE	BY	MFG ENG
01	N/A	PRELIMINARY RELEASE	11/20/09	JR	
01	N/A	UPDATE NOTES	09/16/10	SAB	

NOTES:

1. INSTALL ITEM #5 INTO ITEM #1 TWO PLACES.
2. INSTALL ITEM #3 INTO ITEM #2 TWO PLACES.
3. USING ITEM #4 SECURE ITEM #2 TO ITEM #1.
4. CLOSE COVER AND CHECK LATCHES FOR PROPER OPERATION.
5. USE NON STOCK 7 X 8 X 4 CARTON.
6. INCLUDE ITEM #6 IN FINAL SHIPMENT.
7. ONLY USE CUSTOMER APPROVED LABEL ON CARTON, SEE SHEET TWO.



UNLESS OTHERWISE SPECIFIED DIMENSIONS ARE IN INCHES TOLERANCES ARE:  
 FRACTIONS: DECIMALS: ANGLES:  
 ±1/32 .XX±.03 ±1°  
 .XXX±.010

ALL FLATS TO BE ±.005

**NO SHARP EDGES OR BURRS ALLOWED**

MATERIAL: SEE B.O.M.  
 FINISH: BLACK TEXTURED

DO NOT SCALE DRAWING

DRAWN BY: DATE:  
 CHECKED: DATE:  
 MFG ENG: DATE:  
 QUALITY ENG: DATE:

**LIGHTWAVE**  
 LightWave Manufacturing & Services LLC  
 2111-B Spencer Road | Richmond, VA 23230 | (804) 672-8426  
 www.lightwavecable.com

SIZE B DWG. NO. WAC-1X REV. 01  
 SCALE: 2:3 CAD FILE: SHEET: 1