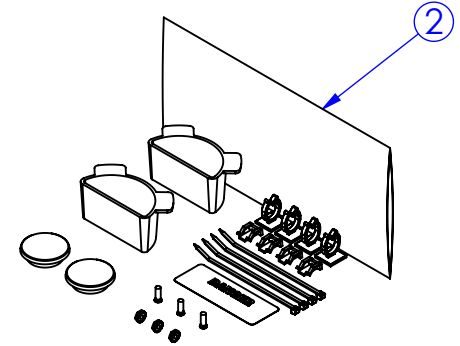
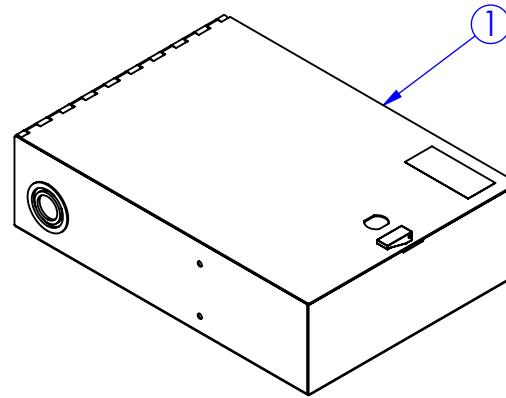
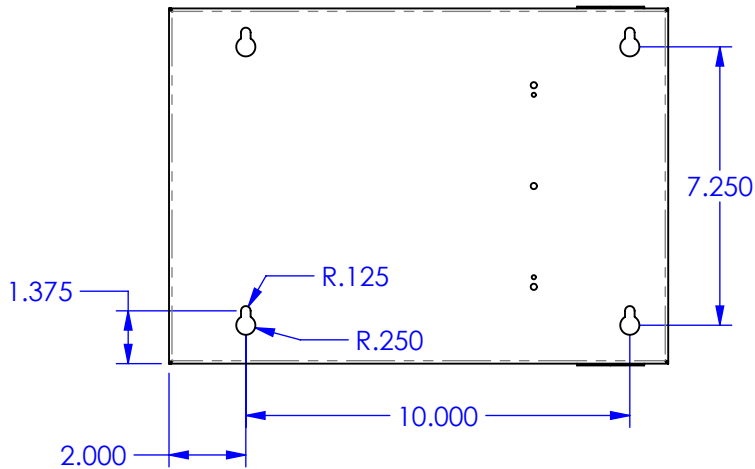


WAC-2X

ITEM NO.	QTY.	PART NO.	DESCRIPTION
1	1	744-918-20	FWM-2X BK MULTILITE 13X9.25X3.5 SUB ASSY W/LIGHTWAVE LOGO
2	1	10-7852	KIT, CABLE MANAGEMENT
3	1	42135	FF-WM-024 PLAIN CARTON W/4 INSERTS (17296/17298)

REV	ECN#	DESCRIPTION OF CHANGE	DATE	BY	MFG ENG
01	N/A	INITIAL RELEASE	06/16/09	JR	
01	N/A	UPDATED PACKAGING NOTES	10/28/09	JR	

MOUNTING CONFIG



NOTES:

1. PLACE ITEM #2 INSIDE OF ITEM #1.
2. PLACE ITEM #1 INSIDE OF ITEM #3.
3. CLOSE ITEM #3 AND TAPE SHUT.
4. ITEM #3 NOT SHOWN.
5. ONLY USE CUSTOMER APPROVED LABEL ON CARTON.

UNLESS OTHERWISE SPECIFIED
DIMENSIONS ARE IN INCHES
TOLERANCES ARE:
FRACTIONS DECIMALS ANGLES
±1/32 .XX=±.03 ±1°
.XXX=±.010
ALL FLATS TO BE ±.005

NO SHARP EDGES OR
BURRS ALLOWED

MATERIAL:
SEE B.O.M.

FINISH:
BLACK TEXTURED

DO NOT SCALE DRAWING

DRAWN BY:	DATE:
CHECKED:	DATE:
MFG ENG:	DATE:
QUALITY ENG:	DATE:



LightWave Manufacturing & Services LLC
2111-B Spencer Road | Richmond, VA 23230 | (804) 672-8426
www.lightwavecable.com

SIZE A	DWG. NO. WAC-2X	REV. 01
SCALE: 1:3	CAD FILE:	SHEET